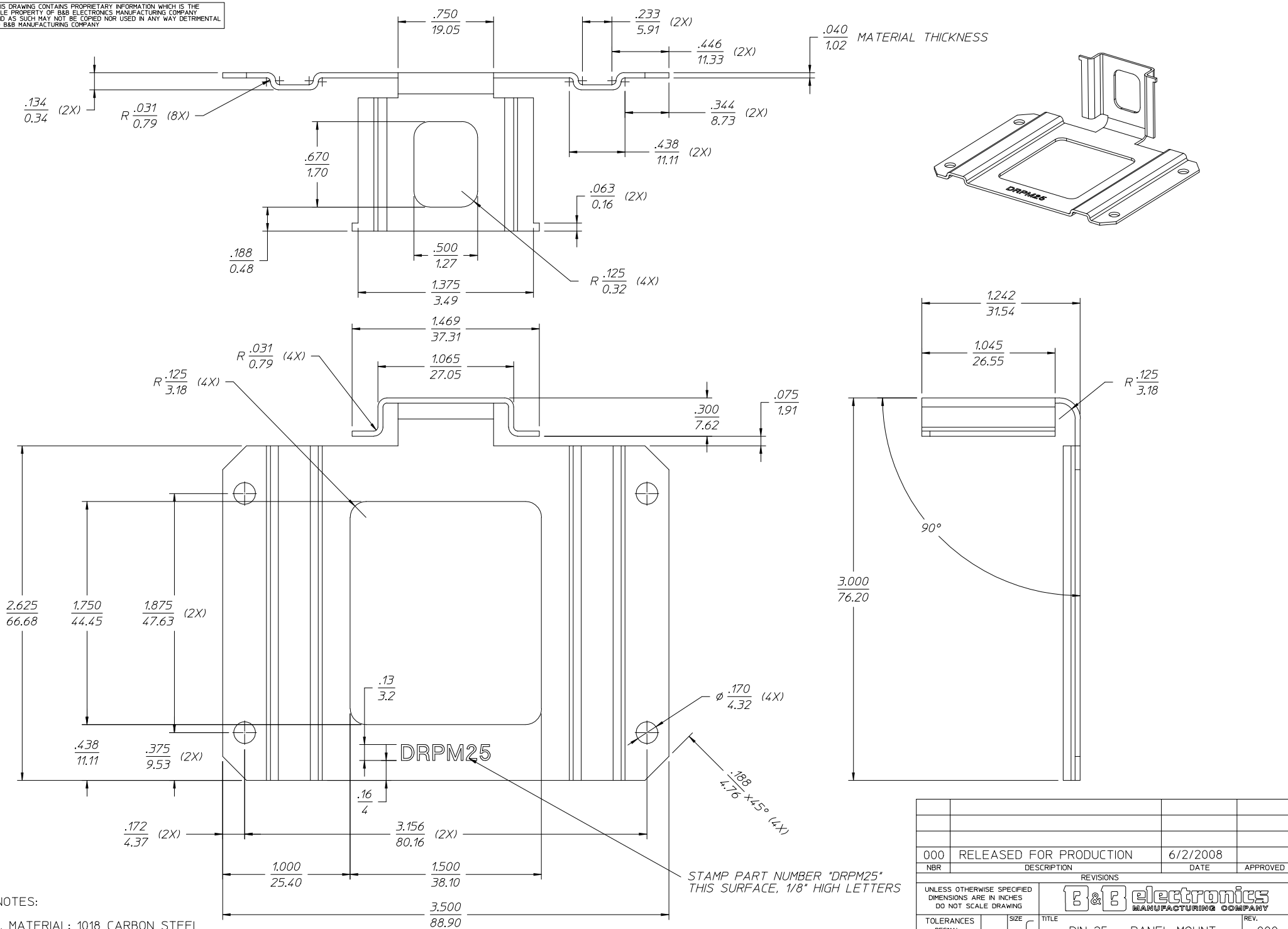


THIS DRAWING CONTAINS PROPRIETARY INFORMATION WHICH IS THE SOLE PROPERTY OF B&B ELECTRONICS MANUFACTURING COMPANY AND AS SUCH MAY NOT BE COPIED NOR USED IN ANY WAY DETRIMENTAL TO B&B MANUFACTURING COMPANY.



- NOTES:
1. MATERIAL: 1018 CARBON STEEL
 2. FINISH: CLEAR ZINC PLATED.
 3. PART MUST BE FREE OF SHARP EDGES, SURFACE SCUFFS, AND BURRS.

STAMP PART NUMBER "DRPM25" THIS SURFACE, 1/8" HIGH LETTERS

000	RELEASED FOR PRODUCTION	6/2/2008	
NBR	DESCRIPTION	DATE	APPROVED
REVISIONS			
UNLESS OTHERWISE SPECIFIED DIMENSIONS ARE IN INCHES DO NOT SCALE DRAWING			
TOLERANCES	SIZE	TITLE	REV.
DECIMAL	C	DIN 25mm PANEL MOUNT	000
xxx = .01	10/19/04	DATE	4/16/2008
xxxx = .005	SCALE	2X	DRAWN BY BOB ZAJESKI
ANGLES	FILE NAME	DRPM25	SHEET 1 OF 1
40°-30°			
FRACTIONS			
±1/64			